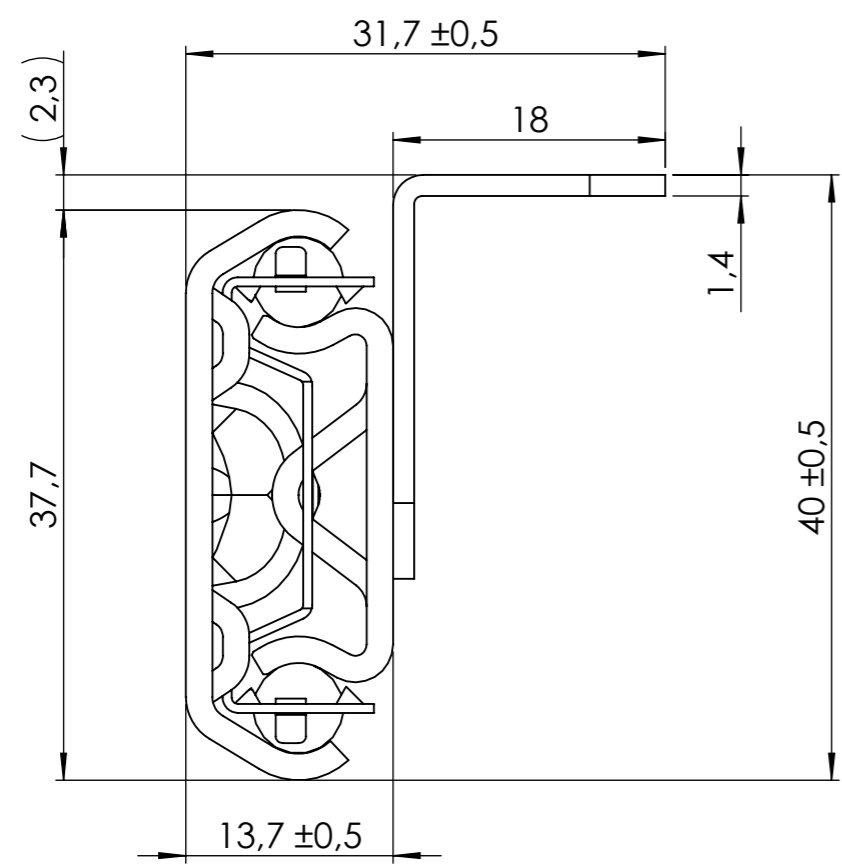
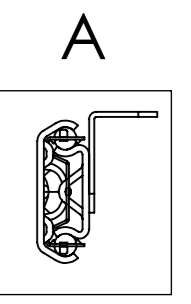
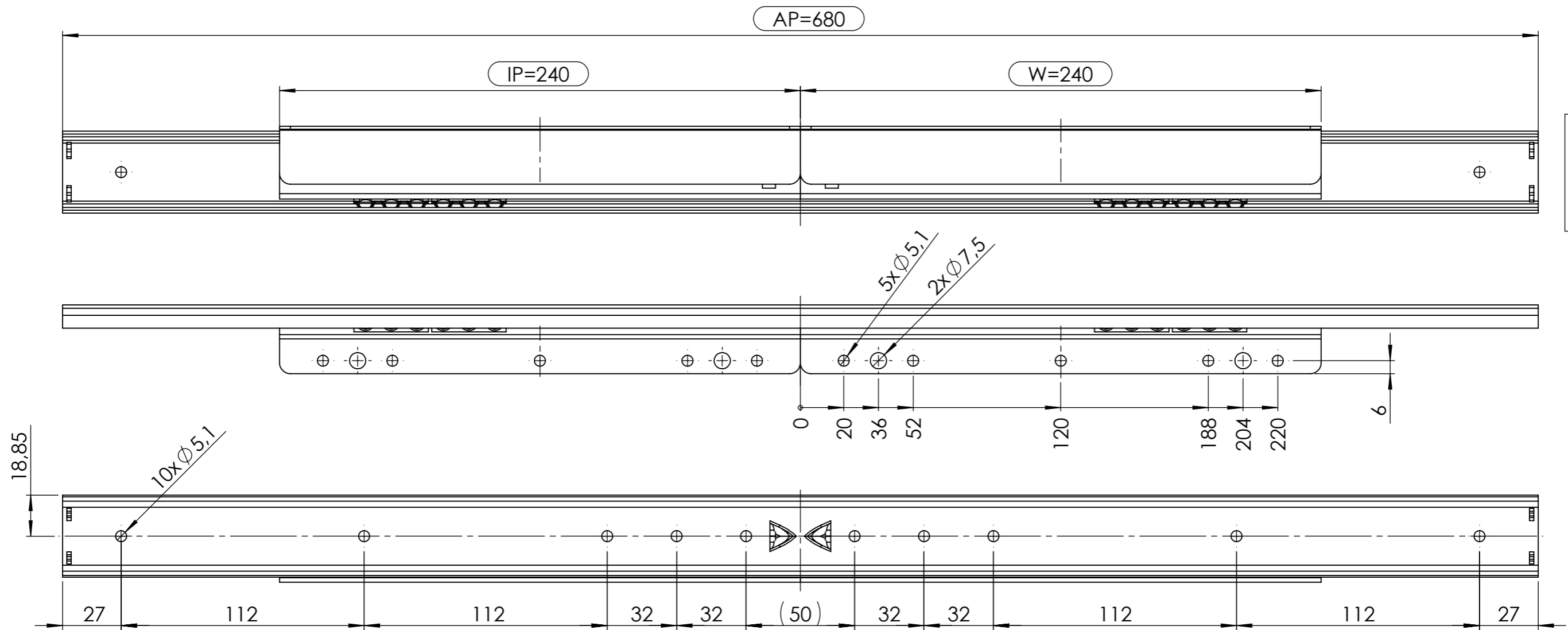
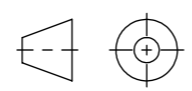


All property rights and rights to exploitation of copyright for this drawing data remain ours; they may not be made available to third parties without our consent.

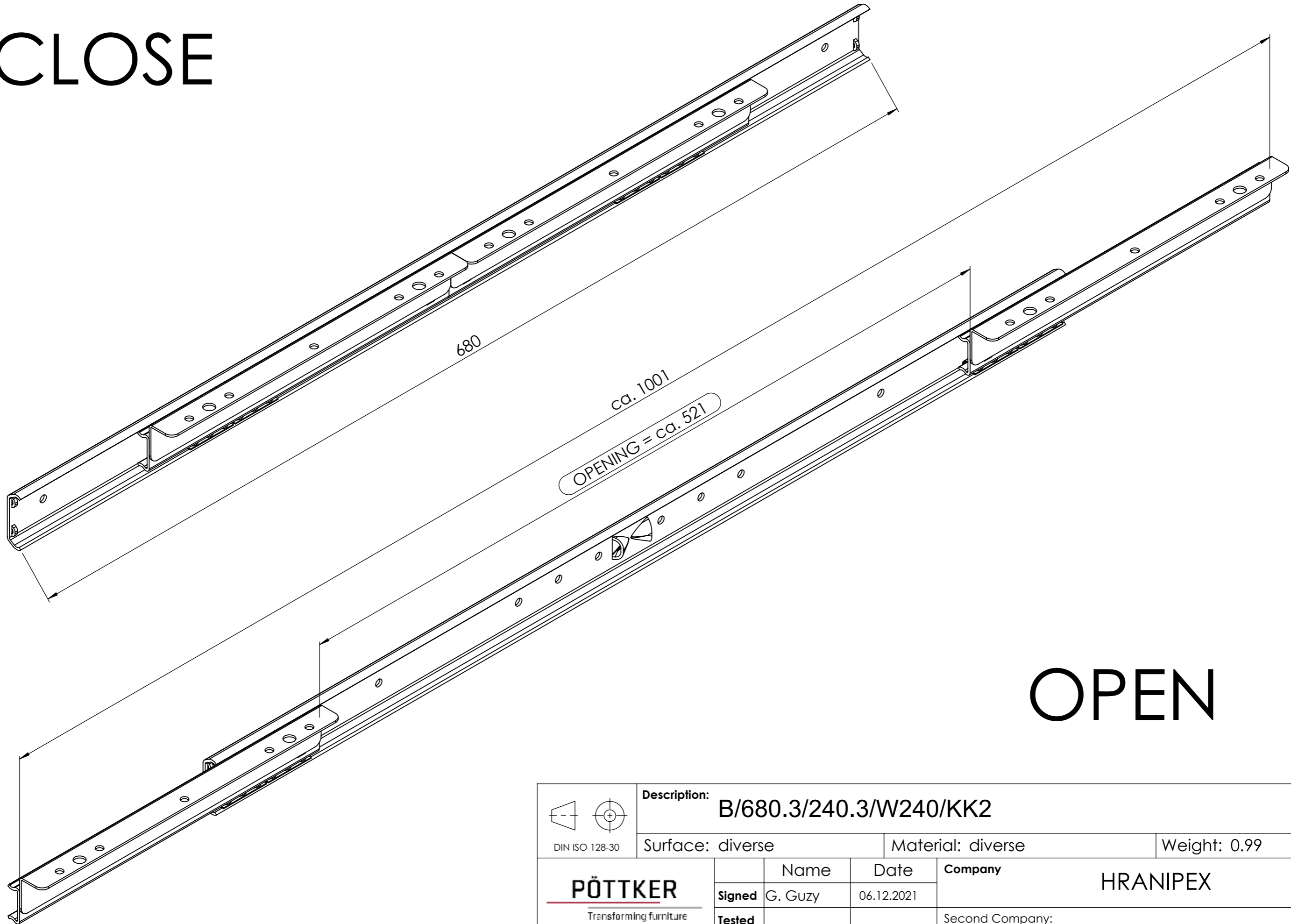


opening : ca. 521 mm

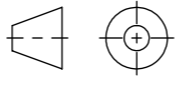
Index	Change		Date	Name
 DIN ISO 128-30	Description: B/680.3/240.3/W240/KK2			
	Surface: diverse		Material: diverse	Weight: 0.99 kg
PÖTTKER Transforming furniture	Name	Date	Company	
	Signed	G. Guzy	06.12.2021	HRANIPEX
	Tested		Second Company:	
General tolerance: DIN ISO 2768 - m		Item No: 37068901	Scale 1:2	Page 1/3

All property rights and rights to exploitation of copyright for this drawing data remain ours; they may not be made available to third parties without our consent.

CLOSE



OPEN

 DIN ISO 128-30	Description: B/680.3/240.3/W240/KK2					
	Surface: diverse		Material: diverse		Weight: 0.99 kg	
PÖTTKER Transforming furniture	Name	Date	Company			
	Signed G. Guzy	06.12.2021	HRANIPEX			
	Tested	Second Company:	Second Company:			
General tolerance: DIN ISO 2768 - m		Item No:	37068901	Scale 1:2	Page 2/3	A3